

iLED™ 7 Surgical Light

The World in a New Light



Enhancing outcomes for
patients and their caregivers:

Hill-Rom

Intelligent Lighting

Innovative technology is a key factor to consider when improving the OR environment. With its new generation of LED OR lights, Trumpf Medical is once again setting new standards: iLED™ 7 Surgical Light – the LED light that thinks.

At Trumpf Medical, patient safety and ease of use are always primary considerations in the development of new products. In accordance with this principle, the revolutionary technology of our new LED OR light enables OR personnel to work under optimum lighting conditions at all times.

The automatic lighting management system uses the latest 3D sensor technology to continuously analyze the surgical area, automatically adapting the lighting conditions and eliminating the need for manual adjustment. In addition, an innovative shadow management system ensures that unwanted shadows, such as those cast by the surgeon's head, are compensated for automatically. The surgeons are able to concentrate fully on their work, to the full benefit of the patient.



Seven Reasons for Choosing the iLED™ 7 Surgical Light

- The lighting management system **automatically** maintain the brightness, color temperature and a consistent field size
- The **unique** shadow management system ensures excellent illumination at all times
- Always **flexible** due to best-possible lighting conditions at working distances of between 0.8 and 1.3 meters in all disciplines
- **Streamlined** design for enhanced air flow
- The **modular** concept allows it to be fitted with a standard handle, sterile operating handle, disposable handle or camera
- An intuitive, **practical** and adaptable operating concept
- **Future-compatible** with integration options from Trumpf Medical





3D sensor technology provides unchanged lighting of the surgical field

SmartAssist for Active Lighting and Shadow Management

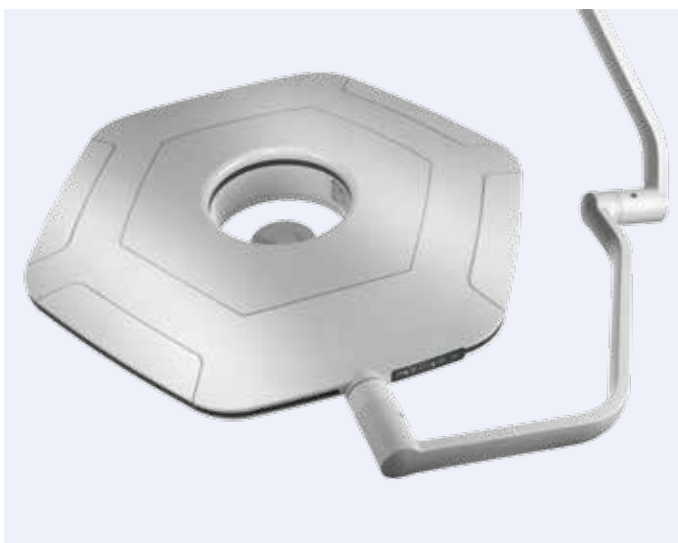
The iLED™ 7 Surgical Light's sensor-controlled assistance system provides even lighting conditions and eliminates shadows, even when the surgeon is working directly beneath the OR light. The system identifies obstacles in the field of illumination and activates or deactivates individual LED modules accordingly. As a result, the surgical field is properly illuminated without the need for manual adjustment allowing the surgeon to focus on the patient and the task at hand.



Intuitive and reliable operation from the get-go

SmartControl for Intuitive Operation

All settings on the iLED™ 7 Surgical Light can be entered using a touchscreen mobile tablet or a wall-mounted operating panel. The clearly designed graphic interface enables intuitive operation. Basic functions can also be adjusted directly on the lighthead. A sterile handle is also available as an option, giving the operator the availability to quickly manage selected functions of the iLED™ 7 Surgical Light.



Streamlined design with smooth surfaces for straightforward cleaning

SmartDesign for the Highest Demands

The slim design of the iLED™ 7 Surgical Light was developed for the specific requirements of the OR personnel. Not only can the OR light be used in operating rooms with conventional ventilation systems, it is also ideal for rooms with laminar air flow systems. Key design elements include the opening in the center of the light, the rounded lines and the smooth surfaces, which are also easy to clean. A combination of lightweight materials and compact design makes the iLED™ 7 Surgical Light easy to position.

The Smart Features of the iLED™ 7 Surgical Light



All product details on the iLED™ 7 Surgical Light are available at www.trumpfmedical.com/en/iLED7

Smart Illumination for Continuous Light Intensity

If the usual working distance is changed, the 3D sensor in the iLED™ 7 Surgical Light automatically adjusts the light field size and illumination level of up to 160,000 lx. OR Staff is able to work under consistent lighting conditions at all times, without the need for manual adjustment saving time and allowing the surgeon to concentrate on the surgical site.



Even lighting at every distance

SmartPattern for Optimal Lighting Field Sizes

Consistent lighting field sizes are available for the commonly required distances in surgery of 0.8 to 1.3 meters. With the unique SmartPattern function, three different sizes are available. After setting the illumination field size, the iLED™ 7 Surgical Light automatically stores the setting even after manual adjustment of the working distance.



For standard working distances, you can select from three preconfigured light field sizes

SmartModularity for Flexibility at all Times

The uniform handle unit enables the iLED™ 7 Surgical Light to be equipped with a standard handle, sterile operating handle or disposable handle making it adaptable to the current staff requirements. If you purchase the TruVidia™ Wireless Camera now or in the future, it can be connected without the need for modifications. You can also combine the OR light with other Trumpf Medical™ devices, such as the innovative TruConnect™ OR Integration System.



Various handles can be fitted to the handle unit for functional flexibility

Technical Data	iLED™ 7
Illumination level E_c in 1 m (lx)	160,000
Focusable light field size (d10) in 1 m (cm) (inch)	16–25 6.3–9.8
Color temperature (K)	3,500 4,000 4,500 5,000
Color rendering index (Ra)	max. 97
Dimming range (%)	Endo <5 30–100
Depth of illumination (L1+L2) at 20% E_c / 2 nd Edition (cm) (inch)	193 76 with ALC Plus
Shadowing with 1 shadower without tube (%)	92
Shadowing with 1 shadower with tube (%)	91
Shadowing with 2 shadowers without tube (%)	68

Compatible with the Latest Generation of Cameras

The iLED™ 7 Surgical Light can be directly connected to the innovative and delay-free TruVidia™ Wireless Camera System via the handle unit interface, providing brilliant recordings in full HD. Individual images for documentation purposes are possible using the snapshot function. Benefits of wireless technology: ability to install and/or upgrade this system at no additional cost or the need for complex video cabling. In addition, it can be controlled from the mobile tablet or wall-mounted operating panel.



The TruVidia™ Wireless Camera provides excellent image quality and encrypted transfer provides maximum data security

TruConnect™ OR Integration System: Intelligently Linked

The iLED™ Surgical Light is compatible with the innovative TruConnect™ OR Integration System by Trumpf Medical. The management and training system enables you to operate different Trumpf Medical™ OR devices. This comprises lights, tables and cameras – even under sterile conditions. With TruConnect™ OR Integration System, you do not need any other remote control devices.

Instead, intuitive, mobile control of the integrated components is possible via the user interface on the tablet, including graphical feedback. The flexible app concept enables the TruConnect™ OR Integration System to be individually extended with the addition of devices and functionalities and combined with other Trumpf Medical solutions.



Experience TruConnect™ OR Integration System online under www.trumpfmedical.com/en/truconnect

Hill-Rom is a leading global medical technology company with more than 10,000 employees in over 100 countries. We partner with health care providers by focusing on patient care solutions that improve clinical and economic outcomes in five core areas: **Advancing Mobility, Wound Care and Prevention, Clinical Workflow, Surgical Safety and Efficiency, and Respiratory Health.** Hill-Rom people, programs, and product brands work towards one mission: **Every day, around the world, we enhance outcomes for our patients and their caregivers.**

Trumpf Medical, part of Hill-Rom, is distinguished by high-quality German engineering standards and offers innovative products to improve efficiency and safety in the OR, ICU, and in other clinical environments throughout the care sector. With our customers' requirements as our benchmark and innovation as the foundation of our success, Trumpf Medical delivers total solutions to fit your clinical care needs.

This document is destined solely for use by healthcare professionals. Medical devices shown in this brochure are intended for use with patients in departments of healthcare establishments.

These products are regulated health care products which, where required by applicable regulations, bear a CE mark. Hill-Rom recommends you carefully read the detailed instructions for safe and proper use included in the documentation accompanying the medical devices. The personnel of healthcare establishments are responsible for the proper use and maintenance of these medical devices.

TruConnect™ and TruVidia™ are registered trademarks of TRUMPF GmbH+ Co. KG.

Hill-Rom reserves the right to make changes without notice in design, specifications and models. The only warranty Hill-Rom makes is the express written warranty extended on the sale or rental of its products.

©2017 Hill-Rom Services, Inc. ALL RIGHTS RESERVED.
Doc. No: 2020483, 09 January 2017

Not all products/options are available in all countries.
For further information about our products or services, please contact your local Trumpf Medical representative or visit our webpage:

www.trumpfmedical.com

Enhancing outcomes for
patients and their caregivers:

Hill-Rom